

## Marine Built-In Cooling Boxes

High installation flexibility, optimised use of free space on board



**isotherm**



### Highly flexible cooling boxes installations

Indel Webasto Marine Built-In boxes allow an optimised use of space on board thanks to the top-loading access to the interior. They are extremely adaptable in size and design to cope with special installation requirements.

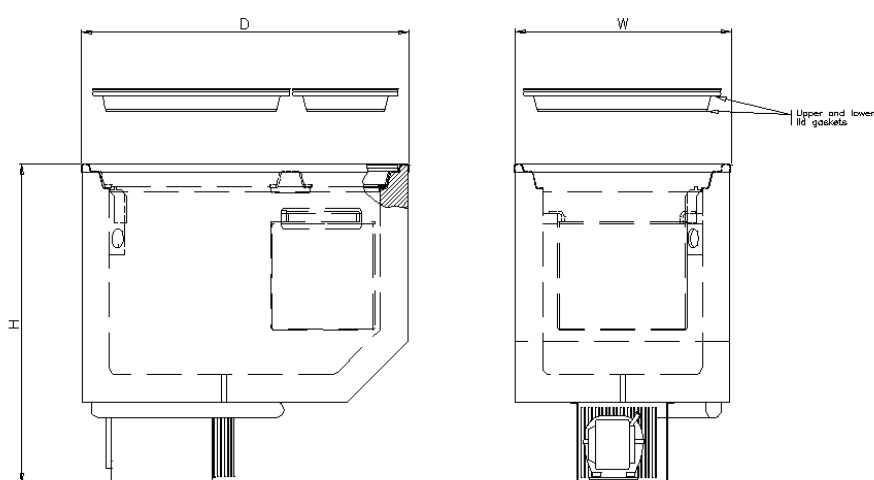
- 12/24 V Secop compressor
- Plastic or stainless steel inside lining to avoid any damage even after contact with salt water
- Roller slides available for BI 29 as an option
- Evaporator integrated in the foam allows easy cleaning(except BI 40)
- Top can be customized

## Technical specifications

Type	Gross volume (l)	Dimensions H x W x D (mm)	Available with ASU	Water cooled option	Weight (kg)	Power consumption* (W/24 hours)	Secop compressor type
BI 16	16	557 x 384 x 240			11,9	-	BD1.4F
BI 29***	29	370 x 342 x 505 + 165		X	19	250	BD35F
BI 36	36	710 x 438 x 240			15,3	-	BD35F
BI 40	40	380 x 395 x 395 + 165	X	X	15,5	270	BD35F
BI 41***	41	450 + 165 x 496 x 340		X	19	270	BD35F
BI 53 F**	53	465 + 165 x 645 x 425		X	26	260	BD50F
BI 75**	75	465 + 165 x 645 x 425		X	26	340	BD35F
BI 92***	92	455 + 165 x 801 x 480		X	28	360	BD50F
BI 172	Fridge 172	840 x 1015 x 560		X	45	357	BD50F
BI 172	130 + 38	840 x 1015 x 560		X	45	603	BD50F

\* Power consumption in operation on 12 Volt with +5°C in the refrigeration space, ambient temperature +25°C according to the Standards ISO 15502:2005 and EN 153:2006

\*\* External flange in stainless steel optional available - \*\*\* The built-in box operates as a fridge or freezer - Specification changes may be made without prior notice.



### The advantages of a built-in cooling box:

- Easy access to food and drinks from the top
- Better installation options
- Extremely space saving
- Customizing options for the lid allow for perfectly adapte design